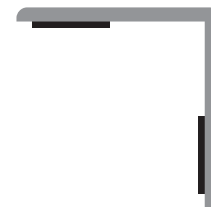
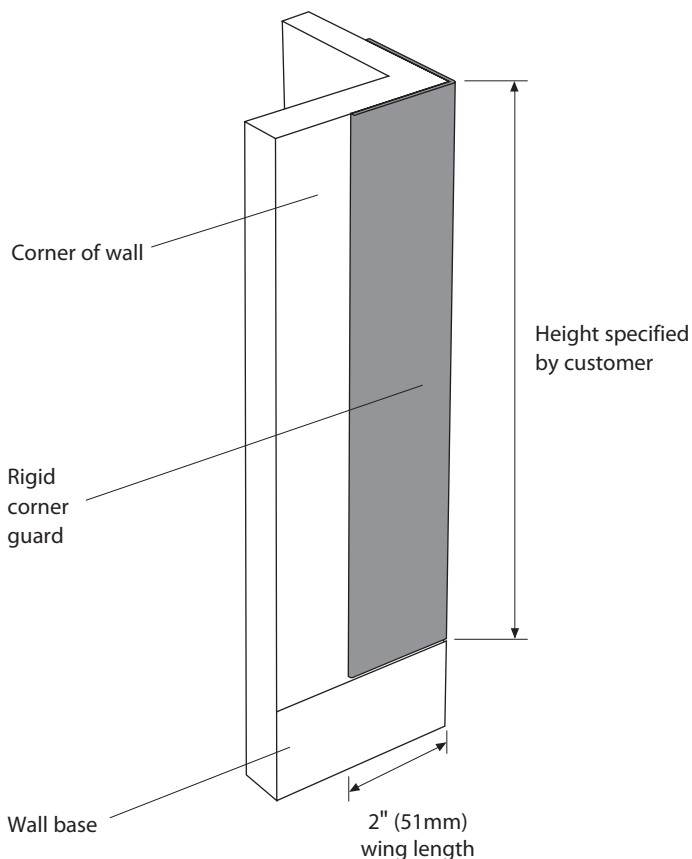


Corner Guards CG-2 (2" wings) Standard Specifications

- Made from class A fire-rated materials
- Rigid polymer construction with integral wood grain pattern
- 2" (51mm) wings
- 1/8" corner radius
- 0.06" (1.5mm) thick
- Standard heights: 4' and 8'
- Standard 90° angle

Options

- Choose from multiple wood grain patterns
- Custom colors available
- Specify application method: construction adhesive or factory-applied double-sided foam tape
- Custom angles available



Tape application locations
for optional double-sided foam tape
application method (factory-applied)