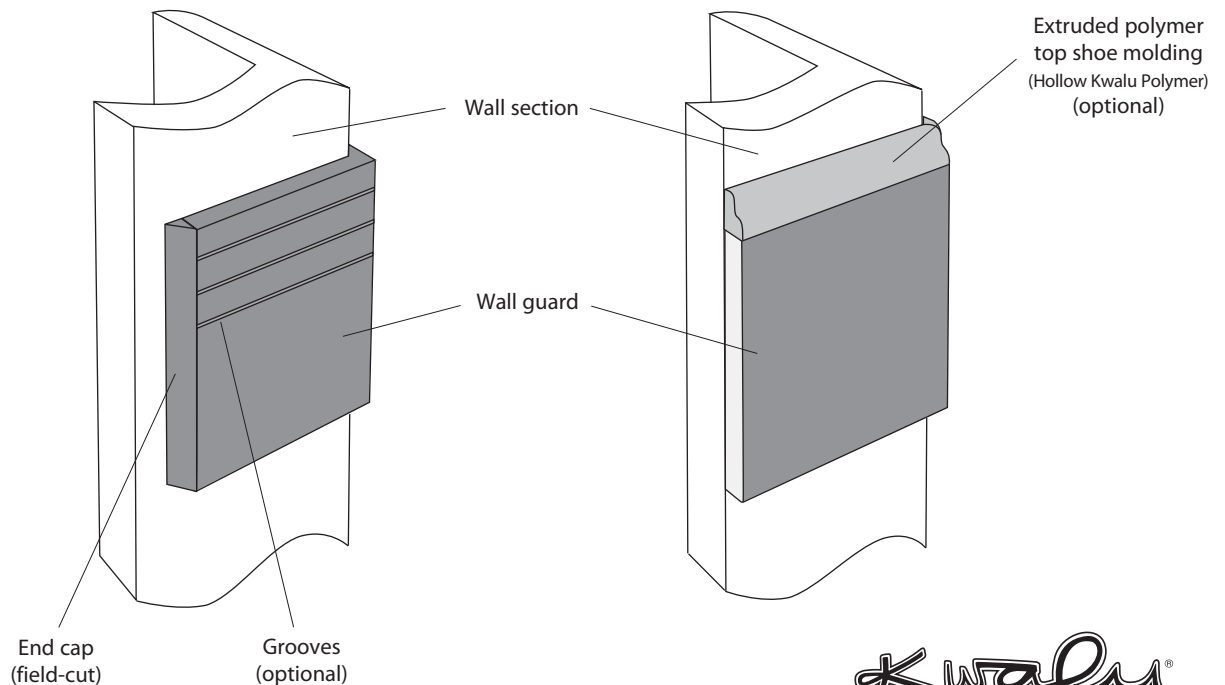


### Wall Guards Standard Specifications

- Class A fire-rated
- Rigid polymer construction with integral wood grain pattern
- Standard heights: 4", 6" and 8"
- 3/4" thick
- Supplied in 12' lengths

### Options

- Choose from multiple wood grain patterns
- Custom colors available
- Optional extruded polymer top shoe molding (hollow Kwalu polymer)
- Optional grooves
- Install using standard woodworking tools and Loctite Power Grab adhesive, in strict accordance with manufacturer's instructions




Virtually Indestructible™

1-877-MY-KWALU (695-9258)

kwalu.com