

Kwalu Features

Kwalu Fusion

- Kwalu's proprietary polymer material
- Non-coated
- Routed edge seam

Moisture Impervious

- Our Kwalu material is smooth, non-porous, and liquid impervious

Proprietary Maintenance-Free Finish

- Chemical, impact, ink, and scratch resistant
- 100% free of short-lived catalytic lacquers, polyurethane varnishes and delicate wood veneers
- Look of wood's enduring beauty, without undertaking its costly setbacks

Easy to Clean

- Withstands rigorous cleaning regime
- 100% bleach cleanable
- Provide long term cleanability
- Survives All EPA's Cleaning-Disinfectant Agents
- Survives Clorox's Healthcare Portfolio of Cleaning-Disinfectant Products

24/7 10-Year Performance Warranty on Kwalu-made Panels

- Kwalu's warranty is to term, not pro-rated
- Guaranteeing both the furniture construction and Kwalu finish
- For full details of warranty offered, including any bought-out items, please refer to the Terms and Conditions of Sale <https://www.kwalu.com/sales-terms-conditions/>

Eco-friendly

- LEED credits available for "Material + Resources" and "Indoor Environmental Air Quality"
- Made in North America
- CARB Compliant

Lancaster Collection Features

Tops

- Edge Type: OG profile
- Edge Banding Thickness: 3/8"
- Top Overhang: - Sides: 1/2" - Front: 1/2" - Back: 1/16"
- Corner Radius: 1/2"

Doors

- Door Style: Full overlay
- Door Hinge: 100° self-closing Euro hinge
- Edge Banding thickness: 1/16"

Drawers

- Drawer Style: Full overlay
- Drawer Slide: 100lb. bottom mounted Euro epoxy coated nylon rollers
- Drawer Box Sides and Back: 1/2" board
- Drawer Bottom: 1/4" board
- Drawer construction: 3- piece construction; dowel and mechanical fasteners
- Drawer Pulls: ADA Compliant pulls available
- Edge Banding Thickness: 1/16"

Chamfered Frame

- Chamfered frame on all doors and drawer fronts. Optional contrasting color available

Back Construction

- 1/4" Solid board

Desk Construction

- 3/4" Plywood

Joining System

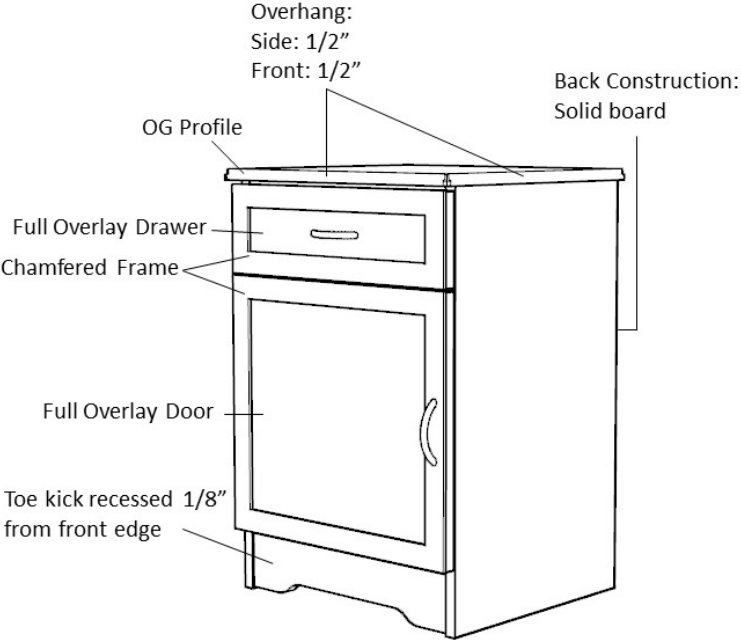
- Dowel and mechanical fasteners

Venting

- Venting on back of bedside cabinet with one drawer, one door only

Glides

- Standard Option for most products: Nylon knock-in glides
- Cabinets over 30" wide and/or 48" high: Screw-in levelers

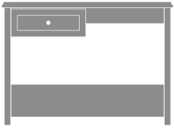


Product Dimensions and Specs

Overall 40.5W 19.5D 30H

Wt. 101 lbs

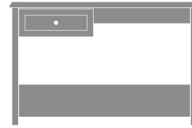
Product Statement of Line Images



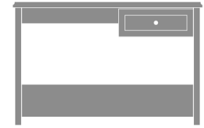
Lancaster Desk Small, 1
Drawer on Left
Moasfadel: LADK101L
40.5W 19.5D 30H



Lancaster Desk Small, 1
Drawer on Right
Moasfadel: LADK101R
40.5W 19.5D 30H



Lancaster Desk Medium, 1
Drawer on Left
Moasfadel: LADK102L
45.25W 19.5D 30H



Lancaster Desk Medium, 1
Drawer on Right
Moasfadel: LADK102R
45.25W 19.5D 30H



Lancaster Desk Large, 1
Drawer on Left
Moasfadel: LADK103L
69W 19.5D 30H



Lancaster Desk Large, 1
Drawer on Right
Moasfadel: LADK103R
69W 19.5D 30H

Product Features



Durable Finish

Kwalu's proprietary finish doesn't have any of the drawbacks of wood. The finish is moisture impervious, easy to clean and maintenance-free.



OG Edging on Top

This traditional 3/8" tiered edging on the top adds character.



Chamfered Frames

The raised overlay on this collection adds a classic style feature.



Drawers

Are constructed with both dowel and mechanical fasteners for additional strength. 100lb static and dynamic load Euro Drawer Slides allow for easy opening and closing.



Optional Widths

Choose from 3 optional widths – 40.5", 45.25" or 69".



10 Year Warranty

We offer a 10 Year Performance Warranty on both construction and finish, so the product is guaranteed to stay looking like new for 10 years.

Product Finishes

Casegood Finish



Premium Black
(Protea™ Fusion)

Sand Ash
(Protea™ Fusion)

Natural Maple
(Protea™ Fusion)

Natural Ash
(Protea™ Fusion)

Medium Oak
(Protea™ Fusion)

Medium Ash
(Protea™ Fusion)



Grey Ash
(Protea™ Fusion)

Graphite Walnut
(Protea™ Fusion)

Charcoal Oak
(Protea™ Fusion)

Premium White
(Protea™ Fusion)

Espresso
(Protea™ Fusion)

Silver Ash
(Protea™ Fusion)



Golden Ebony
(Protea™ Fusion)

Medium Cherry
(Protea™ Fusion)

Patagonian
Cherry (Protea™
Fusion)

Light Walnut
(Protea™ Fusion)

Weathered Teak
(Protea™ Fusion)

Product Environmental Certifications

